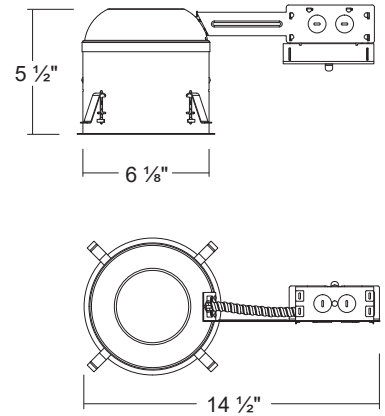


H600SR

6" Non-IC Air-Tight Incandescent Shallow Remodel Housing (Max. 150W)



Dimensions



ORDERING INFORMATION

Model No.	Description
H600SR	6" Non-IC Air-Tight Incandescent Shallow Remodel Housing (Max. 150W)

SPECIFICATION

Junction Box

- Listed for through branch circuit wiring
- Contains one 1-1/8", six 7/8" knockouts and four Romex pryouts with strain relief

Remodel Clips

- Four Remodel clips secure housing and accommodates 1/2" and 5/8" ceiling materials.

Thermal Protector

- Self resetting thermal protector deactivates fixture if overheating occurs due to improper lamping or misapplied insulation.

Listings

- cULus Listed for Damp Location
- cULus Listed for Feed Through

COMPATIBLE TRIMS

T621 Albalite Shower



- **Incandescent**
60W A19

T631 Fresnel Shower



- **Incandescent**
60W A19

T601 Open Trim



- **Incandescent**
75W R / Par30

T605 Eyeball



- **Incandescent**
75W R / Par30

T661 Drop Opal Shower



- **Incandescent**
60W A19

